

Outdoor Heritage Fund Grant Application



The purpose of the North Dakota Outdoor Heritage Fund is to provide funding to state agencies, tribal governments, political subdivisions, and nonprofit organizations, with higher priority given to projects that enhance conservation practices in this state by:

Directive A. Providing access to private and public lands for sportsmen, including projects that create fish and wildlife habitat and provide access for sportsmen;

Directive B. Improving, maintaining and restoring water quality, soil conditions, plant diversity, animal systems and by supporting other practices of stewardship to enhance farming and ranching;

Directive C. Developing, enhancing, conserving and restoring wildlife and fish habitat on private and public lands; and

Directive D. Conserving natural areas and creating other areas for recreation through the establishment and development of parks and other recreation areas.

Exemptions

Outdoor Heritage Fund grants may not be used to finance the following:

- A. Litigation;
- B. Lobbying activities;
- C. Any activity that would interfere, disrupt, or prevent activities associated with surface coal mining operations; sand, gravel, or scoria extraction activities; oil and gas operations; or other energy facility or infrastructure development;
- D. The acquisition of land or to encumber any land for a term longer than twenty years; or
- E. Projects outside this state or projects that are beyond the scope of defined activities that fulfill the purposes of Chapter 54-17.8 of the North Dakota Century Code.

NO CONSIDERATION:

In addition to those specific items in law that are ineligible for funding, in the absence of a finding of exceptional circumstances by the Industrial Commission, the following projects will NOT receive consideration for funding:

- A completed project or project commenced before the grant application is submitted;
- A feasibility or research study;
- Maintenance costs;
- A paving project for a road or parking lot;
- A swimming pool or aquatic park;
- Personal property that is not affixed to the land;
- Playground equipment, except that grant funds may be provided for up to 25% of the cost of the equipment not exceeding \$10,000 per project and all playground equipment grants may not exceed 5% of the total grants per year (see Budget Form for how this will be calculated);
- Staffing or outside consultants except for costs for staffing or an outside consultant to design and implement an approved project based on the documented need of the applicant and the expenditures may not exceed 5% of the grant to a grantee if the grant exceeds \$250,000 and expenditures may not exceed 10% of the grant to a grantee if the grant is \$250,000 or less (see Budget Form for how this will be calculated);

- A building except for a building that is included as part of a comprehensive conservation plan for a new or expanded recreational project (see Budget Form for definition of comprehensive conservation plan and new or expanded recreational project); or
- A project in which the applicant is not directly involved in the execution and completion of the project.

Application Deadline

Applications for this grant round cycle are due on **March 1, 2016 at 5:00 p.m. CT**. All information, including attachments, must be submitted by that date. See instructions below for submission information.

Instructions

Please download this Word document (available on the Industrial Commission/Outdoor Heritage Fund Program website at <http://www.nd.gov/ndic/outdoor-infopage.htm>) to your computer and provide the information as requested. You are not limited to the spacing provided except in those instances where there is a limit on the number of words. After completing the application, save it and attach it to an e-mail and send it to outdoorheritage@nd.gov or print it and mail it to the address noted in the next paragraph.

Attachments in support of your application may be sent by mail to North Dakota Industrial Commission, ATTN: Outdoor Heritage Fund Program, State Capitol – Fourteenth Floor, 600 East Boulevard Ave. Dept. 405, Bismarck, ND 58505 or by e-mail to outdoorheritage@nd.gov. The application and all attachments must be received or postmarked by the application deadline. You will be sent a confirmation by e-mail of receipt of your application.

You may submit your application at any time prior to the application deadline. Early submission is appreciated and encouraged to allow adequate time to review your application and ensure that all required information has been included. Incomplete applications may not be considered for funding. **Any item noted with an * is required.**

Oral Presentation. Please note that you will be given an opportunity to make a ten-minute Oral Presentation at a meeting of the Outdoor Heritage Fund Advisory Board. These presentations are strongly encouraged.

Open Record. Please note that your application and any attachments will be open records as defined by law and will be posted on the Industrial Commission/Outdoor Heritage Fund website.

Name of Organization *

Federal Tax ID# *

Contact Person/Title **Heather Narloch**

Address **PO Box 71**

City **Minto**

State **ND**

Zip Code **58261**

E-mail Address **heather_oihus@hotmail.com**

Web Site Address (Optional)

Phone **7015200521**

Fax # (if available)

List names of co-applicants if this is a joint proposal. **Mary Schuster**

MAJOR Directive: (select the Directive that best describes your grant request)*

Choose only one response

Directive A. Providing access to private and public lands for sportsmen, including projects that create fish and wildlife habitat and provide access for sportsmen;

Directive B. Improving, maintaining and restoring water quality, soil conditions, plant diversity, animal systems and by supporting other practices of stewardship to enhance farming and ranching;

Directive C. Developing, enhancing, conserving and restoring wildlife and fish habitat on private and public lands; and

Directive D. Conserving natural areas and creating other areas for recreation through the establishment and development of parks and other recreation areas.

Additional Directive: (select the directives that also apply to the grant application purpose)*

Choose all that apply

Directive A. Providing access to private and public lands for sportsmen, including projects that create fish and wildlife habitat and provide access for sportsmen;

Directive B. Improving, maintaining and restoring water quality, soil conditions, plant diversity, animal systems and by supporting other practices of stewardship to enhance farming and ranching;

Directive C. Developing, enhancing, conserving and restoring wildlife and fish habitat on private and public lands; and

Directive D. Conserving natural areas and creating other areas for recreation through the establishment and development of parks and other recreation areas.

Type of organization: (select the category that describes your organization)*

- State Agency
- Political Subdivision
- Tribal Entity
- Tax-exempt, nonprofit corporation.

Project Name **City of Minto Outdoor Skating Rink and Warming House**

Abstract/Executive Summary. Our object is to provide an outdoor facility that children and adults can enjoy in the winter months. Currently, the skating rink sits on an uneven grassy land plot, which the City of Minto just pours water over in the winter. The rink is rough to skate on with patches of grass sticking out. The warming house is roughly 25 years old and never had any improvements. Any article was written in the Walsh County Record with a picture about the need in Minto for this outdoor skating rink. The rink is used a lot throughout the winter as there are many hockey and figure skating kids in the town.

The City of Minto has agreed to help out in any way they can, and they understand that I am writing this grant as I means to help get this great opportunity to our City.

Project Duration: **Building of warming house, connecting water, leveling land, installing the ring of dasher board system, and laying down the liner on leveled land.**

Amount of Grant request \$ 28,900.00

Total Project Costs \$41,610.00

(Note that in-kind and indirect costs can be used for matching funds)

A minimum of 25% Match Funding is required. Amount of Matching Funds \$12,710.00

The matching funds will be in-kind donations including the land and the labor provided by the City and volunteers.

Source(s) of Matching Funds*

The City of Minto in a city meeting a few months ago agreed to cover the labor cost for the project if the grant was awarded. The land currently holds the outdoor skating rink and the land will continue to be available for the skating rink.

Certifications *

x I certify that this application has been made with the support of the governing body and chief executive of my organization.

x I certify that if awarded grant funding none of the funding will be used for any of the exemptions noted on Page 1 of this application.

Narrative

Organization Information – My partner and myself are mothers. We have 9 children among us that are all involved in sports and school activities. The organizational skills are perfected in our beings and our households are run like any business or non-profit organization.

We are always discussing the needs in our community and ways to correct the needs. We have spoke with many leaders and agencies in the community to support are concerns in the past and years to come.

Currently, our mission is to address a huge need in our community, the outdoor skating rink. Outdoor recreation in the winter is needed to keep our children health, outdoors, and off electronics. Memories are made on the ice with family and friends; this is our mission.

Purpose of Grant – Describe the proposed project identifying how the project will meet the specific directive(s) of the Outdoor Heritage Fund Program *

Our goal is to have the project completed by next skating season. Our strategies would include as follows

Summer 2016

Level the land, digging and connection of water pipes, and construction of warming house with all amenities, and the laying of the boarding ring for the hockey boards.

Fall/Winter 2016

Laying down and securing the liner on the ground prior to pouring the ice.

Management of Project – Provide a description of how you will manage and oversee the project to ensure it is carried out on schedule and in a manner that best ensures its objectives will be met.*

The City of Minto worker, Sam, has stated that he is willing to help out with overseeing the construction and doing the construction. He has a background in construction work prior to working for the city. The

City of Minto has approved time for him to oversee and do the construction of the warming house and rink. The warming house would be built this summer and installing the base of the rink, only after the level of the lot. The liner would be the last step prior to the snow falling next winter.

Evaluation – Describe your plan to document progress and results. *

I will keep all expense reports and receipts from the construction phase, along with the phase report. The Walsh County Record has already taken an interest in this project and they will be happy to take a picture and follow the progress once the grant is awarded to the City of Minto for the outdoor skating rink.

Financial Information

ATTACHMENT: Project Budget – Using the standard project budget format that is available on the website at <http://www.nd.gov/ndic/outdoor-infopage.htm> , please include a detailed total project budget that specifically outlines all the funds you are requesting. Note that a minimum of 25% match funding is required.*

The project budget should identify all matching funds, funding sources and indicate whether the matching funds are in the form of cash or in-kind services. Effective July 1, 2015 no State General Fund dollars can be used for a match unless funding was legislatively appropriated for that purpose. As noted on the standard project budget format, certain values have been identified for in-kind services. Please utilize these values in identifying your matching funds. **NOTE: No indirect costs will be funded.**

I certify that a project budget will be sent to the Commission*

Sustainability – Indicate how the project will be funded or sustained in future years. *

The City of Minto already takes care of the outdoor rink and warming house and they will continue to care for it in the future. We also have 1% economic tax that I could push to utilize for any maintenance. The Minto JC's are also a great organization to help support community projects.

Partial Funding – I will need to look into some the local organizations for money if this is only partial funded. The Minto JC's is an organization that has supported other community projects in the past.

Partnership Recognition - If you are a successful recipient of Outdoor Heritage Fund dollars, how would you recognize the Outdoor Heritage Fund partnership? * The Walsh County Record would be used to recognize the Outdoor Heritage Fund partnership and a sign would be created on the outside of the warming house.

Scoring of Grants

All applications will be scored by the Outdoor Heritage Fund Advisory Board after your ten-minute oral presentation. The ranking sheet(s) that will be used by the Board is available on the website at <http://www.nd.gov/ndic/outdoor-infopage.htm> .

Awarding of Grants*

All decisions on requests will be reported to applicants no later than 30 days after Industrial Commission consideration. The Commission can set a limit on duration of an offer on each application or if there isn't a specific date indicated in the application for implementation of the project, then the applicant has until the next Outdoor Heritage Fund Advisory Board regular meeting to sign the contract and get the project underway or the commitment for funding will be terminated and the applicant may resubmit for funding. Applicants whose proposals have been approved will receive a contract outlining the terms and conditions of the grant. Please note the appropriate sample contract for your organization on the website at <http://www.nd.gov/ndic/outdoor-infopage.htm> that set forth the general provisions that will be included in any contract issued by the North Dakota Industrial Commission. Please indicate if you can meet all the provisions of the sample contract. If there are provisions in that contract that your organization is unable to meet, please indicate below what those provisions would be. *

Responsibility of Recipient

The recipient of any grant from the Industrial Commission must use the funds awarded for the specific purpose described in the grant application and in accordance with the contract. The recipient cannot use any of the funds for the purposes stated under Exemptions on the first page of this application.

If you have any questions about the application or have trouble submitting the application, please contact Karlene Fine at 701-328-3722 or kfine@nd.gov

Revised: December 16, 2015

Budget Standard Form

Please use the table below to provide a detailed total project budget that specifically outlines all the funds you are requesting and the matching funds being utilized to fund this project. Please note if the matching funds are in the form of cash, indirect costs or in-kind services. The budget should identify all other committed funding sources and the amount of funding from each source. Match can come from any source (i.e. private sources, State and Federal funding, Tribal funding, etc.) Effective as of July 1, 2015 no State General Fund dollars can be used for a match unless funding was legislatively appropriated for that purpose. Note a minimum of 25% match funding is required. An application will be scored higher the greater the amount of match funding provided. (See Scoring Form.)

Please feel free to insert columns and rows as needed. Please include narrative to fully explain the proposed budget.

Note that NO INDIRECT COSTS will be funded from the Outdoor Heritage Fund. Also by law several items are ineligible for funding – see Exemptions in the Application Form. Effective June 10, 2015 the following guidelines were approved by the Industrial Commission:

NO CONSIDERATION:

In addition to those specific items in law that are ineligible for funding, in the absence of a finding of exceptional circumstances by the Industrial Commission, the following projects will NOT receive consideration for funding:

- A completed project or project commenced before the grant application is submitted;
- A feasibility or research study;
- Maintenance costs;
- A paving project for a road or parking lot;
- A swimming pool or aquatic park;
- Personal property that is not affixed to the land;
- Playground equipment, except that grant funds may be provided for up to 25% of the cost of the equipment not exceeding \$10,000 per project and all playground equipment grants may not exceed 5% of the total grants per year; (See Definitions/Clarifications below)
- Staffing or outside consultants except for costs for staffing or an outside consultant to design and implement an approved project based on the documented need of the applicant and the expenditures may not exceed 5% of the grant to a grantee if the grant exceeds \$250,000 and expenditures may not exceed 10% of the grant to a grantee if the grant is \$250,000 or less; (See Definitions/Clarifications below)
- A building except for a building that is included as part of a comprehensive conservation plan for a new or expanded recreational project; (See Definitions/Clarifications below)
- A project in which the applicant is not directly involved in the execution and completion of the project.

Project Expense	OHF Request	Applicant's Match Share (Cash)	Applicant's Match Share (In-Kind)	Applicant's Match Share (Indirect)	Other Project Sponsor's Share	Total Each Project Expense
Contractor Labor 1	\$5700.00	\$	\$1110.00	\$		\$6810.00
Supplies 2	\$23,200.00	\$	\$	\$	\$1300.00	\$24500.00
Land Value 3	\$	\$	\$10,000.00	\$	\$	\$10000.00
Operating Costs 4	\$	\$	\$300.00	\$	\$	\$300.00
	\$	\$	\$	\$	\$	\$
	\$	\$	\$	\$	\$	\$
Total Costs	\$28900.00	\$	\$11410.00	\$	\$1300.00	\$

1. A contractor will be needed to prepare the land for a level outdoor skating rink. Estimated hours at 10 hours at \$15.00 per hour. The City of Minto has agreed to contribute to the project by covering the cost of labor for preparing the land. The other contractor labor would be the cost of placing the water lines to the warming house at \$5700.00. Kilmer Excavating has agreed to charge only the cost of labor for his workers on this project as a form of contributing to the project.
2. The cost of a 50' x 150' rink liner made from 6 mil tri-later with rip stop reinforcement to prevent tearing at \$975.00 with \$70.93 MN sales for order total of \$1045.93. The cost for material of the warming house is \$7000.00. The City of Minto will contribute the cost of labor estimated at 40 hours at \$15.00 per hour at \$600.00 for building the warming house. The cost of water supply line for the warming house will be donated by the City of Grafton in behalf of helping to build the warming house. The cost is estimated at \$1300.00. The cost of the Becker Arena Product 4.0 Hockey Dasher Board System, Ring only, would be estimated at \$12,100.00. The labor cost of installing the ring frame would be covered by the City of Minto at \$15.00 per hour for estimated 24 hours. The cost for handicap accessible bathroom supplies and labor from Lunseth Plumbing and Heating Co. is estimated at \$3000.00
3. The skating rink land will be donated by the Paul Koehmstedt Estate as a way to contribute to the community. The estimated cost of the land would be \$10,000.00
4. Administrative cost by the City of Minto for labor and coordinating paperwork estimated at \$300.00

In-kind services used to match the request for Outdoor Heritage Fund dollars shall be valued as follows:

- Labor costs \$15.00 an hour
- Land costs Average rent costs for the county as shown in the most recent publication of the USDA, National Agricultural Statistics Services, North Dakota Field Office
- Permanent Equipment Any equipment purchased must be listed separately with documentation showing actual cost. (For example: playground equipment)
- Equipment usage Actual documentation
- Seed & Seedlings Actual documentation
- Transportation Mileage at federal rate
- Supplies & materials Actual documentation

More categories will be added as we better understand the types of applications that will be submitted. We will use as our basis for these standards other State and Federal programs that have established rates. For example the North Dakota Nonpoint Source Pollution Management Program has established rates. If your project includes work that has an established rate under another State Program please use those rates and note your source.

Definitions/Clarifications:

Building - Defined as "A structure with a roof either with walls or without walls and is attached to the ground in a permanent nature."

Comprehensive Conservation Plan - Defined as "A detailed plan that has been formally adopted by the governing board which includes goals and objectives--both short and long term, must show how this building will enhance the overall conservation goals of the project and the protection or preservation of wildlife and fish habitat or natural areas." This does not need to be a complex multi-page document. It could be included as a part of the application or be an attachment.

New and Expanded Recreational Project means that the proposed building cannot be a replacement of a current building. The proposed building must also be related to either a new or expanded recreational project--either an expansion in land or an expansion of an existing building or in the opportunities for recreation at the project site.

Playground equipment calculation - Only the actual costs of the playground equipment (a bid or invoice showing the amount of the equipment costs must be provided) - cannot include freight or installation or surface materials or removal of old equipment, etc.

Staffing/Outside Consultants Costs - If you are requesting OHF funding for staffing or for an outside consultant, you must provide information in your application on the need for OHF funding to cover these costs. For example, if you are an entity that has engineering staff you must explain why you don't have sufficient staff to do the work or if specific expertise is needed or whatever the reason is for your entity to retain an outside consultant. If it is a request for reimbursement for staff time then a written explanation is required in the application of why OHF funding is needed to pay for the costs of that staff member(s)' time. **The budget form must reflect on a separate line item the specific amount that is being requested for staffing and/or the hiring of an outside consultant.** This separate line item will then be used to make the calculation of 5% or 10% as outlined in the law. Note that the calculation will be made on the grant less the costs for the consultant or staff.

Recommended by OHF Advisory Board: October 17, 2013

Approved by Industrial Commission: October 22, 2013

Revisions recommended by OHF Advisory Board: January 22, 2014

Approved by Industrial Commission: January 29, 2014

Revisions recommended by OHF Advisory Board: May 13, 2014

Approved by Industrial Commission: May 27, 2014

Revisions recommended by OHF Advisory Board: June 3, 2015

Approved by Industrial Commission: June 10, 2015

Record of the minutes of a regular meeting of the City Council of the City of Minto, Walsh County, North Dakota, held on September 8, 2015 at 8:00 PM at the Minto City Auditor's Office.

Mayor Lane Kelley called the meeting to order. The Pledge was recited. Present were Councilmen Allen Gerszewski, Larry Jamieson, Craig Nice and Keith Shutt. Absent was none.

An addition was made to the agenda.

Open petitions from the public were

Jeff Glanner requested the sign put o moved to the west and an additional

Post-It® Fax Note	7671	Date	3-7-16	# of pages	1
To		From	Tami Wilkenc		
Co./Dept.		Co.	City of Minto		
Phone #		Phone #	701-248-3858		
Fax #	701-328-2820	Fax #	701-248-3839		

Heather Narloch discussed a Parks and Recreation grant that may be available for improvements to the warming house and ice rink. On motion by Jamieson, seconded by Gerszewski, carried. Approved for Heather Narloch to pursue a grant for the warming house and ice rink and bring back the proposal to the Council at the next regular meeting.

Minutes from the regular meeting held on August 3, 2015 were submitted for approval. On motion by Shutt, seconded by Nice, and carried. The minutes were approved.

Committee reports were given.

Discussion was held on the difficulties grass and leaves blown into the street caused for storm water drainage. A note will be added to the utility billing reminding residents not to blow debris into the street.

A new mosquito sprayer was discussed. Mr. Shutt will get quotes for the next meeting.

On motion by Jamieson, seconded by Nice, carried. Approved to close 1st Street for the Guy Miller Memorial Run on September 19.

On motion by Shutt, seconded by Jamieson, carried. Approved to put in a culvert on the east side of the cemetery road to drain the water. The City will pay for the culvert. Brad Narloch will arrange and pay for installation.

Mr. Shutt requested a meeting with the Employee Relations committee. It will be on September 10 at 7:00 AM.

Applications for building permits were reviewed. On motion by Shutt, seconded by Gerszewski, carried. The following permits were approved:

- Garry Stout, 241 Broughton Avenue – Reroof home.
- Scott Gerszewski, 213 Wilson Avenue – Install new siding on home.
- Gen Misialek, 337 Major Avenue – Install soffit, siding and windows.
- Verizon Wireless LLC, Division Avenue – Construct cell tower with equipment building and antennas.
- DGAZ Six LLC, 133 Harvey Avenue – Install new roof, siding, soffit, facia.



Rink Solutions That Perform!



NJPA Proposal

Quotation # 102015-min

Revision #

Date: October 20, 2015

Proposal Expiration Date: December 21, 2015

Prepared for:

Ms. Heather Narloch

Minto, North Dakota

RE: Outdoor Dasher System

Our understanding of your current situation:

You are currently pricing a new outdoor dasher board system.

Our approach to meet your needs:

We have prepared a dasher board quotation with various options for your review.

Thank you for considering Becker Arena Products, Inc. as a product supplier and partner in your current project. We have been serving the Sports and Recreation Industry since 1988. We welcome the opportunity to earn your trust with this project by demonstrating our ability to perform to your satisfaction through our staff of professionals, with our versatility, experience, on time deliveries and commitment to quality.

With Becker Arena Products you will receive a Worry Free project – Guaranteed.

This system is available through the NJPA Cooperative Purchasing Program at discounted pricing. [BECKER ARENA PRODUCTS, INC – VENDOR CONTRACT #022113 – BAP](#)

The National Joint Powers Alliance (NJPA) is a municipal contracting government agency that serves education and government agencies nationally through competitively bid and awarded contract purchasing solutions. Over 47,000 Member agencies enjoy the value and commitment of the world-class NJPA awarded Vendors. Take advantage of the cooperative purchasing discounts shown here in this quotation mentioning our contract #022113-BAP when ordering. You must be a member and contracting authority. Ask your sales person for a copy of the NJPA Contract Purchasing information booklet or go to www.njpacoop.org for more information.

Confidential: This document contains proprietary and confidential information that is owned and is of significant value to Becker Arena Products, Inc. No unauthorized use, disclosure or reproduction of any of this information is permitted without the prior written consent of Becker Arena Products, Inc.

Becker Arena Products – Proposal Details

Per your inquiry, below please find the pricing for the following dasher board systems.

BAP4.0 HOCKEY DASHER BOARD SYSTEM

Becker Arena Products, Inc. shall furnish one BAP4.0 Outdoor hockey dasher board system along with related options. The pricing is based on the information furnished and will include the following items and features.

DASHER MATERIALS

Rink size 110' x 60' x 20' radius

308 lineal feet of **48" high** galvanized steel frame components only **[Ring only]**

4' high 2" schedule 40 galvanized pipe dasher board supports for sides of rink with 4' length to be driven in to ground **[8' overall length supports]**

12' high 2" schedule 40 galvanized pipe dasher board supports for the ends and radius corners of rink with 4' length to be driven in to ground **[16' overall length supports]**

One (1) frame only for a 12'-0" equipment gate

Three (3) access gates – gate latches and hinges

All panel steel framing components hot dip galvanized after fabrication

Dasher panels are assembled on site

Includes all hardware required for installation

CHAIN LINK FENCING

Support posts for 8' high fence fabric detailed above

Four (4) each shield termination pads

See option below for other chain link fence materials

DELIVERY

Freight to Minto, North Dakota. Customer is responsible for unloading all materials.

INSTALLATION

See option listed below

NJPA – NATIONAL JOINT POWERS ALLIANCE PURCHASING PROGRAM DISCOUNTS

BECKER ARENA PRODUCTS, INC – VENDOR CONTRACT #022113 - BAP

BASE PRICE \$ 12,089.50

NJPA BASE PRICE DISCOUNT [\$ 604.47]

BASE PRICE WITH NJPA DISCOUNT \$ 11,485.03

ACCEPT _____

Quote Detail List

Estimate No. JTJ-0001

Date: October 2, 2015 at 12:00 AM

CITY OF MINTO PARK DISTRICT

Usage	Qty	Unit	Item No.	Description	Price	Amount
Floor Joists						
Floor Joists(1)						
<u>Floor Joist Sets</u>						
Floor Joist	14.00	EA	21010	2 X 10 - 10'		
Rim Joist	1.00	EA	21012	2 X 10 - 12'		
End Joist Blocking	3.00	EA	2108	2 X 10 - 8'		
Sgl Joist Hangers	15.00	EA	JUS210TZ	2 X 10 JOIST HGR TRIP. ZINC		
Hanger Nails	1.00	LB	114JOIST	1-1/4" JOIST HGR NAIL - GALV		
Lateral Bridging	1.00	EA	2612	2 X 6 - 12' - PREM.		
Rim Banding	1.00	EA	2412	2 X 4 - 12' - PREM.		
Bridging	16.00	EA	MB16	SPEED MB-16 SNAP PER X		
Insul, Box Jst	1.00	BD	R1915FBD	OC R-19" X 15" FF @ 77.5 (8)		
Nails- Framing	3.00	LB	16CC	16D CC SINKER 60 #		
Nails-Framing	1.00	LB	8CC	8D CC SINKER 142/ #		
Squash Blocking Os Perm	24.00	EA	2616	2 X 6 - 16' - PREM.		
Walls & Surfaces						
Walls & Surfaces(1)						
anchors	0.84	EA	833079	WEDGE ANCHOR 1/2" X 4-1/4" (25)		
Sill Sealer	2.00	RL	4SILL	SILL SEAL 4" X 50'		
Treated Bottom Plate	2.00	EA	2412T	2 X 4 - 12' TRT - PREM.		
Treated Bottom Plate	3.00	EA	2416T	2 X 4 - 16' TRT - PREM		
Ext Top Plate	2.00	EA	2412	2 X 4 - 12' - PREM.		
Ext Top Plate	8.00	EA	2416	2 X 4 - 16'		
Ext Top Plate	2.00	EA	2420	2 X 4 - 20'		
Ext Studs	50.00	EA	24PC	2 X 4 - 92-5/8" PC - PREM.		
O S C Ext. Studs	12.00	EA	24PC	2 X 4 - 92-5/8" PC - PREM.		
Temporary Bracing	12.00	EA	2416	2 X 4 - 16'		
Nails - Framing Bulk	7.00	LB	16CC	16D CC SINKER 60 #		
Nails - Framing Air Gun	1.00	EA	S16D	S16D 3-1/2" BOSTICH NAIL 2M		
Plumb Studs	12.00	EA	26PC	2 X 6 - 92 5/8" PC - PREM.		
Hurricane Ties	0.21	CT	RT15	RT-15 OR H-1 RAFTER TIE		
Hanger Nails	2.00	LB	114JOIST	1-1/4" JOIST HGR NAIL - GALV		
Valley Collar Tie	11.00	EA	268	2 X 6 - 96" PC - PREM.		
Diag Rafter Bracing Temp	3.00	EA	2412	2 X 4 - 12' - PREM.		
Gbl Truss Plate Nailer	2.00	EA	2612	2 X 6 - 12' - PREM.		
Ladder Rake	7.00	EA	248	2 X 4 - 96" PC - PREM.		
Framing Nails - Hand	5.00	LB	16CC	16D CC SINKER 60 #		
Framing Nails - Air	1.00	EA	S16D	S16D 3-1/2" BOSTICH NAIL 2M		
Gable Sheathing	1.00	EA	716OSB	4 X 8 - 7/16" OSB		
Roof Sheathing - 7/16"	10.00	EA	716OSB	4 X 8 - 7/16" OSB		
Plywood Clips - 7/16"	35.00	EA	PC716	H-CLIPS 7/16 PC716		
Sheathing Nails - Hand	2.00	LB	8CC	8D CC SINKER 142/ #		
Sheathing Nails - Air	1.00	EA	S8D	S8D 2-1/2" BOSTICH NAIL 2M		
Drip Edge (eave)	5.00	EA	APRONW	GUTTER APRON 10' - WHITE		
Drip Edge (rakes)	3.00	EA	DEDEGEW	STYLE D ROOF EDGE 10' - WHT		
Ice Barrier	2.00	RL	OCICE	WEATHERLOCK COLD CLIMATE 1.5 SQ.		
Felt	1.00	RL	FELT15	15 # FELT 4 SQ		
Staples, Felt	1.00	EA	190611	STAPLES DUO 5/16 X 5M 5010-C		
Starter, Sgle	1.00	BD	OCSTARTER	STARTER STRIP O.C. (100/16 PC)		
Shingles	9.00	BD	DURATION	DURATION TRUE DEF. - COLORS		
Hip / Ridge Shingle	1.00	BD	HRCOLOR	O.C. PROEDGE H/R - COLORS		
End Wall Flashing	1.00	RL	VALLEY2450	24" X 50' GALV. VALLEY TIN		
Ridge Vent	2.00	EA	SHINGLVBLK	SHINGLE VENT 4' - BLACK		
Proper Vents	20.00	EA	PROPER	PROPER VENTS 24" - DURO(50)		
1 1/4" Galv. Roof Nails	2.00	LB	114RFG	1-1/4" HD GALV RFG NAILS - 230/#		
1 1/2" Galv. Roof Nails	1.00	LB	112RFG	1-1/2" HD GALV RFG NAILS - 189/#		
Shingle Stik Per Each	2.00	EA	RF140	RF - 140 ROOFING TAR		
Sewer Flashing	1.00	EA	804856	SEWER PIPE FLASHING 3"		
Drip Edge At Eaves	5.00	EA	APRONW	GUTTER APRON 10' - WHITE		
Drip Edge At Rakes	3.00	EA	DEDEGEW	STYLE D ROOF EDGE 10' - WHT		
Starter Eave	4.00	EA	PARTRS	PART RS STARTER 12'		
Soffit Starter @ Rakes	2.00	EA	PARTRS	PART RS STARTER 12'		
Steel Fascia - Eaves	4.00	EA	SSL6	SSL6 X 12' STL FASCIA		
Steel Fascia - Rake	3.00	EA	SSL6	SSL6 X 12' STL FASCIA		
Gable Returns	1.00	EA	SSL10	SSL10 X 12' STL FASCIA		
Soffits Eave	3.00	EA	RCVT	CV SOFFIT 16"X12'		

Soffit Rakes	2.00 EA	RSOLID	SOLID SOFFIT 16"X12'
Mitre Moulding Pc	1.00 EA	PARTMD	PART MD MITER 12'- COLOR
J Channel	1.00 EA	PARTE	PART E SOFFIT J 12'
Galv Nails	1.00 LB	5GAL	5D GALV. BOX NAIL 406 / #
Soff Nailer Over 30"	2.00 EA	2410	2 X 4 - 120" PC - PREM.
Fastners & Soffit Panels	1.00 CT	SX5035138G	STAPLE BOSTITCH 7/32" X 1-3/8"
Fastners Soff Panels	1.00 LB	3GAL	3D GALV. BOX NAIL 592 / #
Nails, Fascia	1.00 LB	MAZETRIMW	FASCIA NAILS STL 1 1/2"- WHT
Fascia Screws (ft) *	1.00 BG	112MWBWHT:	1-1/2" M/W SCR - B. WHITE (500)
Ext Dr	2.00 EA	F536L	36" F5 6 PANEL - LHSI, 4-9/16"
Window	2.00 EA	78SLIDE3636	SUMMIT # 78 SLIDER - 36" X 36"
Window Headers	1.00 EA	21012	2 X 10 - 12'
Sill Framing 2 X 4	1.00 EA	2412	2 X 4 - 12' - PREM.
Cripples 2 X 4	1.00 EA	2414	2 X 4 - 14'
Jack Studs 2x4	2.00 EA	248	2 X 4 - 96" PC - PREM.
Expansion Foam - Wdws	2.00 EA	287425	GREAT STUFF WINDOW & DOOR
Shims - Wdw	2.00 EA	SHIMS	SHIMS 8" - CEDAR
Nails - Wdw	1.00 LB	134RFG	1-3/4" EG GALV RFG NAILS - 165#
Caulking - Wdw	2.00 EA	POLYWHT	POLYSEAMSEAL 40 YR - WHITE
Entry Door Header	1.00 EA	2108	2 X 10 - 8'
Jack Studs 2 X 4	1.00 EA	2414	2 X 4 - 14'
Cripples 2 X 4	1.00 EA	248	2 X 4 - 96" PC - PREM.
Expansion Foam - Ext. Dr	1.00 EA	287425	GREAT STUFF WINDOW & DOOR
Shims - Ext. Drs	1.00 EA	SHIMS	SHIMS 8" - CEDAR
Caulking - Ext. Dr	1.00 EA	POLYWHT	POLYSEAMSEAL 40 YR - WHITE
Locksets - Keyed	1.00 EA	638130	KWIKSET DELTA ENTRY LEVER - BB
Wall Sheathing	12.00 EA	716OSB	4 X 8 - 7/16" OSB
Nails - Sheathing Bulk	4.00 LB	8CC	8D CC SINKER 142/ #
Nails - Sheathing Gun	1.00 EA	S8D	S8D 2-1/2" BOSTICH NAIL 2M
House Wrap	1.00 RL	TYVEK9100	TYVEK 9' X 100'
Tyvek Tape	1.00 RL	TYVEKTAPE	TYVEK TAPE 2" X 165'
Staples	1.00 EA	190611	STAPLES DUO 5/16 X 5M 5010-C
Eave Fascia	2.00 EA	2616	2 X 6 - 16' - PREM.
Gable Fascia	2.00 EA	2616	2 X 6 - 16' - PREM.
Roof Sheathing	10.00 EA	12CDX	4 X 8 - 1/2" CDX 5-PLY PLYWOOD
Roof Sheathing Nails	1.00 EA	S8D	S8D 2-1/2" BOSTICH NAIL 2M
Gable Air Blockers	2.00 EA	2416	2 X 4 - 16'
Drip Edge (eave)	3.00 EA	APRONW	GUTTER APRON 10'- WHITE
Drip Edge (rakes)	3.00 EA	DEGGEW	STYLE D ROOF EDGE 10' - WHT
Starter, Sgle	1.00 BD	OCSTARTER	STARTER STRIP O.C. (100'/16 PC)
Ice Guard - Eave/ Valley	2.00 RL	OCICE	WEATHERLOCK COLD CLIMATE 1.5 SQ.
Felt	1.00 RL	FELT15	15 # FELT 4 SQ
Staples, Felt	1.00 EA	190611	STAPLES DUO 5/16 X 5M 5010-C
Shingles	9.00 BD	DURATION	DURATION TRUE DEF. - COLORS.
Hip / Ridge	1.00 BD	HRCOLOR	O.C. PROEDGE H/R - COLORS
Ridge Vent	6.00 EA	SHINGLVBLK	SHINGLE VENT 4' - BLACK
1 1/4" Coil Nails Roof	9.00 COI	114RFGCOILE	1.25" RFG COILS
Coil Nail Ridge & Hips	1.00 LB	134RFGCOILE	COIL - 1-3/4" ROOFING COILS - GE
Drip Cap	1.00 EA	DRIPCAPW	DRIP CAP 1-1/4" X 10' WHT
Siding	20.00 EA	48SMARTWG	4 X 8 7/16 SMT PNL W/G 8"OC(80)
Siding Corners	13.00 EA	148P2	1 X 4 X 8' # 2 PINE
Nails, Siding	4.00 LB	8SDG	8D SCREW SHANK SDG NAIL - GALV
Insul Ext Walls	4.00 BD	R1915FBD	OC R-19" X 15" FF @ 77.5 (8)
Poly Ext Walls	1.00 EA	84POLY4	8 1/3' X 100' POLY - 4 MIL
Poly Cieling	1.00 EA	16POLY4	16' X 100' POLY - 4 MIL
Ciel Ins Fatt Batt	1.00 BD	R4924KBD	GDN R-49 X 23" KF @ 48 SF
Eave Vent Schutes	6.00 EA	PROPER	PROPER VENTS 24"- DURO(50)

Sub-Total
Sales Tax @ 7.25%
Total

Sub-Total

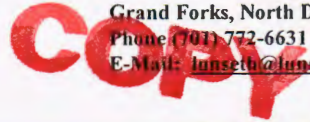
6,453.21
467.86
6,921.07

LUNSETH

Plumbing & Heating Co.
ND# 7562 MN# D02541PM

1710 North Washington St. PO Box 5909
Grand Forks, North Dakota 58206-5909
Phone (701) 772-6631 Fax (701) 772-7932
E-Mail: lunseth@lunseth.com

PROPOSAL



PROPOSAL SUBMITTED TO:		PHONE: 701-248-3158	DATE: 11/9/15	
		FAX:		
NAME:	Heather Narloch	JOB NAME:	Bathroom	
STREET:	619 Wilson Ave.	STREET:		
CITY:	Minto	CITY:	Minto	STATE: ND
STATE:	ND 58261	ATTN:	Heather	

Estimate Includes:

Size as per requirements by ND State Plumbing Board:

Waste, vent hot & cold water supply – Includes lav/faucet, ADA stool complete, grab bars and 2.5 gal 110 electric water heater.

Pipe up city water meter, tie to new sewer line stubbed in by others.

All labor & material provided for above said.

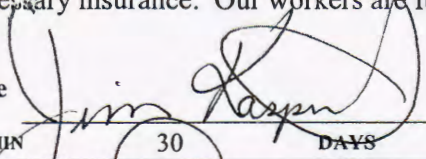
Note – Sewer & water into building by other than Lunseth.

Note – Bid unseen/ no print/no layout.

Three Thousand and no/100----- Dollars \$ 3,000.00 with payments made as follows: Net, 30 days.

All material is guaranteed to be as specified. All work to be completed in a workmanlike manner according to standard practices. Any alteration or deviation from above specification involving extra costs, will be executed only upon written orders, and will become an extra charge over and above the estimate. All agreements contingent upon strikes, accidents or delays beyond our control. Owner to carry fire, tornado and other necessary insurance. Our workers are fully covered by workmen's compensation insurance.

Authorized Signature



NOTE: THIS PROPOSAL MAY BE WITHDRAWN BY US IF NOT ACCEPTED WITHIN

30

DAYS

Acceptance of Proposal

The above prices, specifications and conditions are satisfactory and are hereby accepted. You are authorized to do the work as specified. Payments will be made as outlined above.

Signature _____

Date: _____

Signature _____

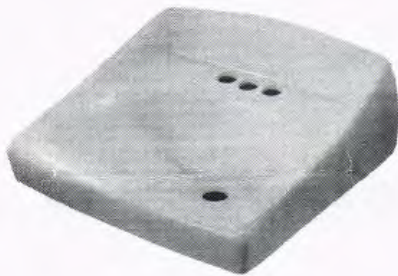
SLOAN®

Model
SS-3003
 Standard Wall Hung Lavatory with Backsplash



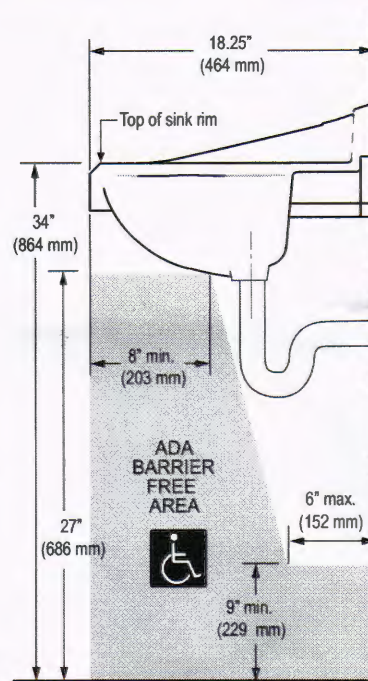
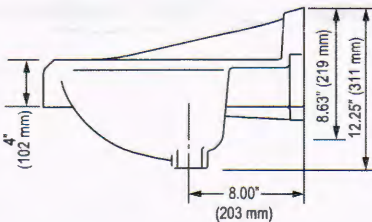
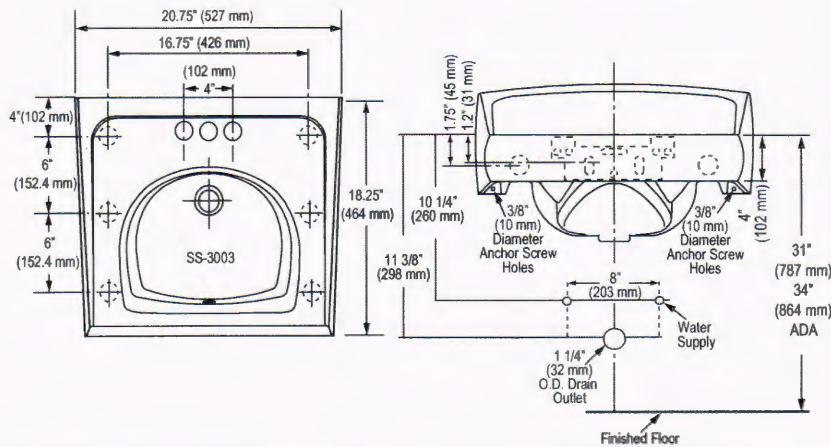
DESCRIPTION

Complete vitreous china lavatory with backsplash
 Model SS-3003



SPECIFICATIONS

- Lavatory**
- White vitreous china
 - Wall mount
 - Hanging hardware
 - Backsplash
 - 4" (102 mm) centers
 - Overflow
 - ADA compliant when mounted with deck at 34" from finished floor. See illustration for recommended ADA installation
 - 20.75" (527 mm) x 18.25" (464 mm)
 - Compliant to the applicable sections of ASME A112.19.2/CSA B45.1
 - Carrier not included
 - Compatible with:
 Jay R. Smith- 0700 series lavatory carrier or equal
 Josam- 17100-202 series lavatory carrier or equal
 Watts TCA-411 concealed arm "track" carrier or equal
 Watts-WCA-411 carrier with concealed arms or equal



Product Specification
 Sink shall be made of vitreous china. Sink shall be wall mounted. Sink shall have an overflow. Sink shall be a 4" centerset. Sink shall be Sloan Model SS-3003.

Important: Fixture dimensions are nominal and may vary slightly from drawings.

This space for Architect/Engineer approval	
Job Name	Date
Model Specified	Quantity
Variations Specified	
Customer/Wholesaler	
Contractor	
Architect	

The information contained in this document is subject to change without notice.



Sloan Valve Company is buying renewable energy certificates to meet 100% of the company's purchased electricity use at its Franklin Park, Illinois facility.

SLOAN.

Sloan Valve Company
 10500 Seymour Avenue
 Franklin Park, IL 60131
 Phone: 1-800-9-VALVE-9 (982-5839)
 or 1-847-671-4300
 Fax: 1-800-447-8329 or 1-847-671-4380
 www.sloanvalve.com

Copyright © 2010 Sloan Valve Company
 07/10 Rev. 1a

DELTA COMMERCIAL LAVATORY FAUCETS

- Single Handle
- 2 and 3 Hole Sink Applications
- 4" (102 mm) Centerset

Submitted Model No.: 501LF-HDF

Specific Features:

STANDARD SPECIFICATIONS:

- Single handle lavatory deck faucets (for exposed mounting on two and three hole sinks).
- 4" (102 mm) centerset.
- Solid brass fabricated body.
- 5" (127 mm) spout.
- Vandal resistant lever handle. Red/blue colored graphics indicate hot/cold temperature.
- Control mechanism is the diamond embedded ceramic disc cartridge.
- Control handle shall return to the neutral position when valve is turned off.
- Adjustable handle limit stop.
- 3/8" O.D. copper supply tubes - 5 13/16" (148 mm) long with 1/2"-14 NPSM adapters.
- Models have 1/4" threaded mounting studs.
- Available options for field conversion:
 - Metal grid strainer (523)
 - Metal pop-up drain (520)
 - Lift rod hole (520)
- Maximum 1.5 gpm @ 60 psi, 5.7 L/min @ 414 kPa.
- HGM (models only) max. 0.5 gpm @ 60 psi, 1.9 L/min @ 414 kPa.
- TGM (models only) max. 0.35 gpm @ 60 psi, 1.3 L/min @ 414 kPa.

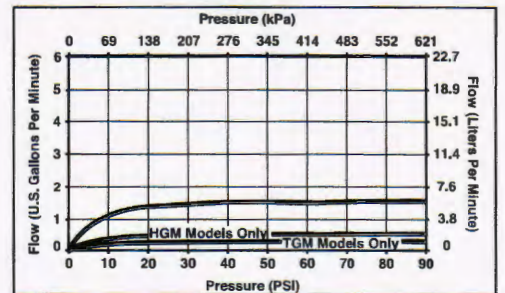
WARRANTY

- Lifetime Faucet and Finish Limited Warranty to the original consumer purchaser to be free from defects in material and workmanship.
- 5 Year Limited Warranty for usage in all industrial, commercial and business applications.

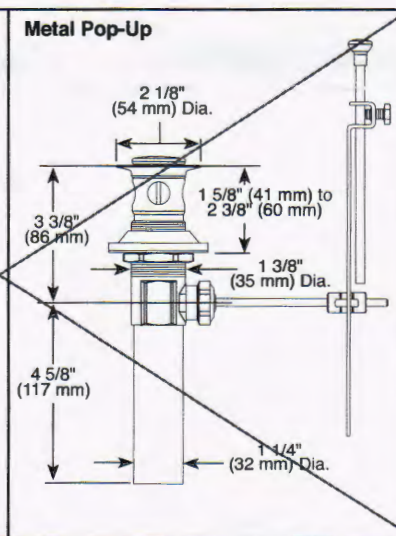
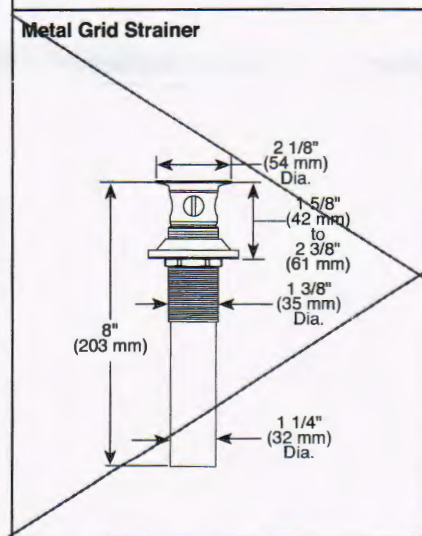
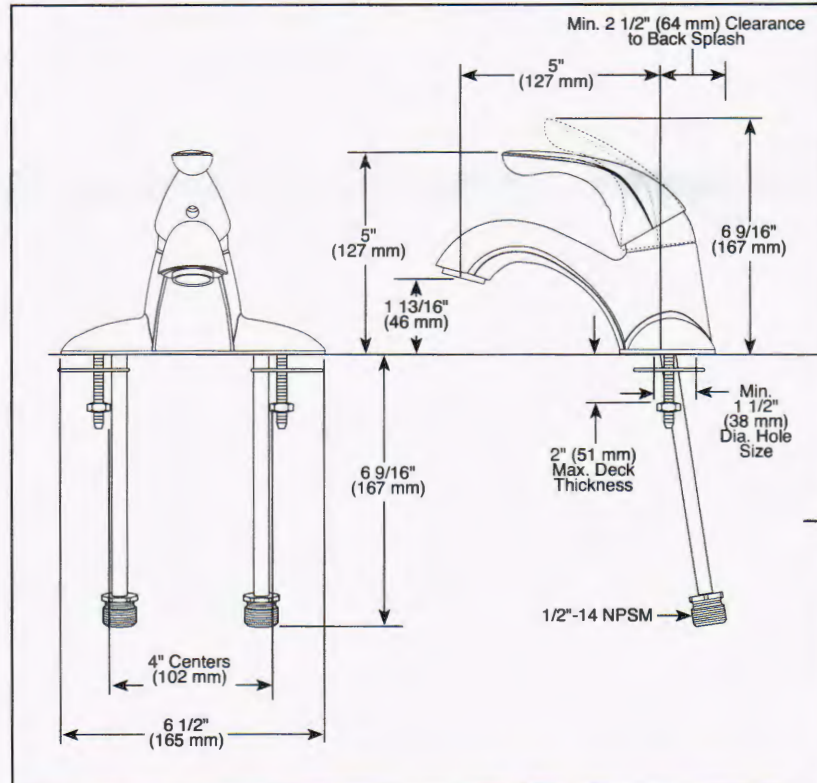
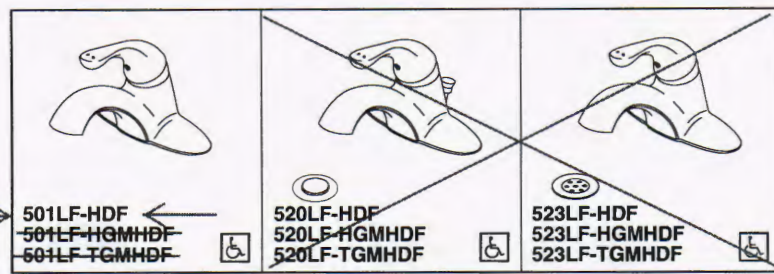


COMPLIES WITH:

- ASME A112.18.1 / CSA B125.1
- ASME A112.18.2 / CSA B125.2
- Indicates compliance to ICC/ANSI A117.1
- EPA WaterSense®
- Verified compliant with .25% weighted average Pb content regulations.



55 E. 111th Street, Indianapolis, Indiana 46280
350 South Edgeware Road, St. Thomas, ON N5P 4L1
© 2012 Masco Corporation of Indiana



Delta reserves the right (1) to make changes in specifications and materials, and (2) to change or discontinue models, both without notice or obligation. Dimensions are for reference only. See current full-line price book or www.specselect.com for finish options and product availability.

DSP-L-501LF-HDF Rev. D



Dearborn®
Brass

4675 W. 160th St.
Cleveland, Ohio 44135
Ph: (800) 321-9532
Fax: (800) 321-9535
www.dearbornbrass.com

SUBMITTAL SPECIFICATION

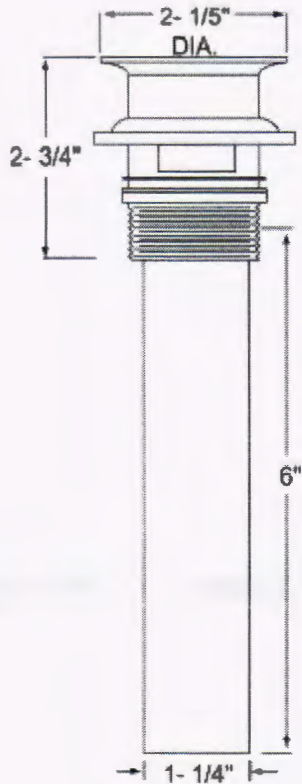
CAST GRID PATENT OUTLET PLUG

Engineering Specification: Dearborn Brass Semi-Cast Grid Patent Overflow Plug with 1- $\frac{1}{4}$ " x 6" – 17 gauge tailpiece.

Job Reference

DESCRIPTION

- Chrome Finished
- Includes: Cast Grid, P.O. Plug with nuts and washers and 17 gauge tailpiece
- Designed for installation in most commercial applications



✓	Product No.	Description	Carton Quantity	Carton Weight (lbs)
→	760-1	Semi-Cast Grid Patent Overflow Plug with 1- $\frac{1}{4}$ " x 6" – 17 gauge Tailpiece	25	18

Data is subject to manufacturing tolerances.

384-386

Summit™ ADA

Elongated Front, Vitreous China, Two-Piece Toilet



Features

- Elongated front, 16-3/4" SmartHeight™ bowl (ADA compliant)
- 1.6 Gpf / 6.0 Lpf
- 3 bolt tank-to-bowl connection
- High performance MagnaFlush™ flushing technology
- 3" flush valve
- Pilot operated anti-siphon fill valve
- 12" rough-in
- Front-mount, chrome-plated, metal trip lever
- 2" glazed trapway
- The Mansfield® limited lifetime warranty
- Available in white and standard colors:
~~biscuit and bone~~





Model 384-386
Toilet seat not included



*Also available as a complete toilet package.

Components

Model #	Description	Codes/Standards
→ 384-386	Elongated front, SmartHeight™ two-piece toilet. Less toilet seat and supply. Specify color.	 
384	Elongated front, SmartHeight™ toilet bowl only. Less toilet seat. Specify color.	
386	Tank and cover only with left hand, front-mount, chrome-plated, metal trip lever. Less supply. Specify color.	
386RH	Same as above, with right hand trip lever.	
*384CTK	Elongated front, SmartHeight™ complete toilet kit. Includes toilet seat, tank and bowl, flange bolts, wax ring with polyethylene flange and instructions.	



MADE IN USA

384-386**Summit™ ADA**

Elongated Front, Vitreous China, Two-Piece Toilet

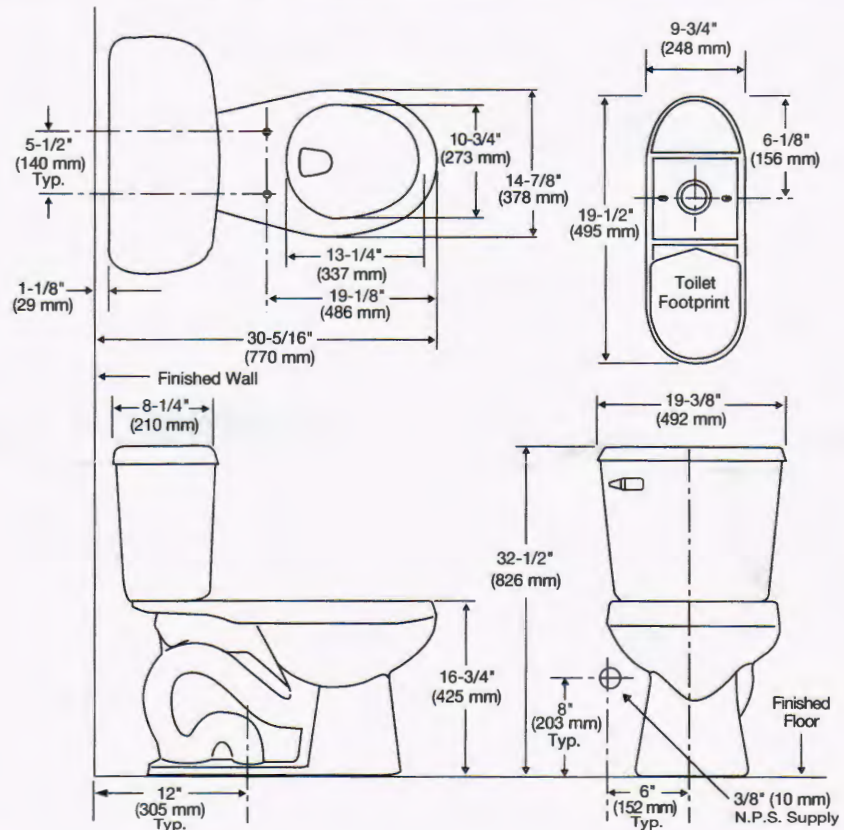


Specifications

Model #	Description	Codes/Standards
384-386	Elongated front, SmartHeight™ (1.6 Gpf / 6.0 Lpf) two-piece, toilet.	

Specification	Description	Specification	Description
Material	Vitreous china	Trap Diameter	2"
Water Pressure Range	20 to 80 PSI	Trap Seal	2-3/8"
MaP Rating	1000 grams	Rough-in	12"
Water Usage	1.6 Gpf / 6.0 Lpf	Shipping Weight	Model 384 - 57 lbs.; Model 386 - 34 lbs.; Model 384CTK - 94 lbs.
Water Surface Area	9" X 10"		
Flush System	3" flush valve - MagnaFlush™ Flushing Technology	Warranty	Vitreous China - Limited Lifetime Tank Trim - Limited One Year

Technical Information



See our complete line of acrylic and vitreous china bathroom fixtures, plastic tank trim and plumbing products.

These dimensions are nominal and subject to change without notice.

Fixture performance and specifications meet or exceed ASME A112.19.2-2008/CSA B45.1-08 standards, and other state and local codes.



MADE IN USA



COMMERCIAL HEAVY-DUTY PLASTIC TOILET SEAT



MODEL #

COLOR #

~~10CT~~/10SSCT ←

WHITE

DESCRIPTION:

Open front less cover, elongated, heavy-duty, injection molded solid plastic toilet seat. Features four molded-in bumpers, ~~non self-sustaining (10CT)~~ or self-sustaining (10SSCT) check hinges with non-corrosive 300 Series stainless steel posts and pintles and STA-TITE® Commercial Fastening System™. This seat complies with American National Standard Z124.5 Toilet (Water Closet) Seats as a class Commercial Heavy Duty.

SPECIFICATIONS:

Size:	Elongated
Material:	Plastic
Style:	Open Front less Cover
Bumpers:	Four
Hinges:	Non-Self-Sustaining (10CT) with 300 Series Stainless Steel Posts and Pintles or Plastic Self-Sustaining (10SSCT)
Fastening System:	STA-TITE® Commercial Fastening System™

FEATURES:

- STA-TITE® Commercial Fastening System™
- Non-Corrosive 300 Series Stainless Steel Posts and Pintles

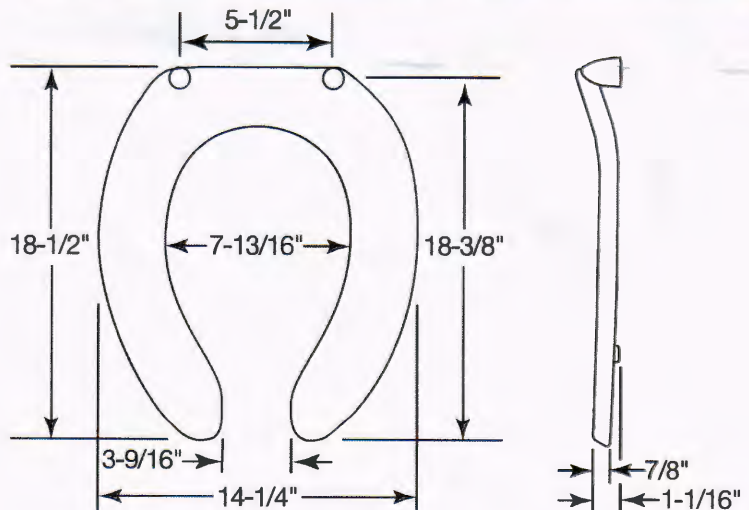


PLASTIC HINGES WITH STAINLESS STEEL POSTS AND PINTLES



STA-TITE® COMMERCIAL FASTENING SYSTEM™

DIMENSIONS:



Olsonite, Sheboygan Falls, WI 53085
www.Olsonite.com

Phone: 920-467-4621 | 800-558-7651 Fax: 920-467-8573
©2010 OB7012308

Home Care Technical Specification

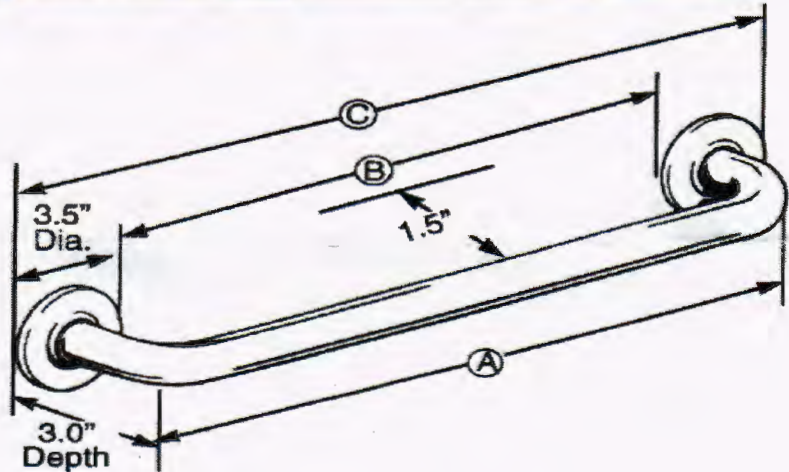
1 1/2" Grab Bars – Concealed Screw

8900

Stock Numbers:

- 8912, R8912W – 12" Grab Bar**
Satin Finish
1 1/2" Bar, Concealed Screw Mounting
- R8916, R8916W – 16" Grab Bar**
Satin or White Finish
1 1/2" Bar, Concealed Screw Mounting
- R8918, R8918W, LR8918W – 18" Grab Bar**
Satin or White Finish
1 1/2" Bar, Concealed Screw Mounting
- R8924, R8924W, LR8924W – 24" Grab Bar**
Satin or White Finish
1 1/2" Bar, Concealed Screw Mounting
- R8930, R8930W – 30" Grab Bar**
Satin or White Finish
1 1/2" Bar, Concealed Screw Mounting
- R8932, R8932W – 32" Grab Bar**
Satin Finish, White Finish
1 1/2" Bar, Concealed Screw Mounting
- R8936, R8936W – 36" Grab Bar**
Satin or White Finish
1 1/2" Bar, Concealed Screw Mounting
- 8942, R8942W – 42" Grab Bar**
Satin or White Finish
1 1/2" Bar, Concealed Screw Mounting
- DN8948, R8948W – 48" Grab Bar**
Satin Finish, White Finish
1 1/2" Bar, Concealed Screw Mounting

Dimensions:



	A	B	C
8912	12"	8.175	15.25
8916	16"	12.175	19.25
8918	18"	14.175	21.25
8924	24"	20.175	27.25
8930	30"	26.175	33.25
8932	32"	28.175	35.25
8936	36"	32.175	39.25
8942	42"	38.175	45.25
8948	48"	44.175	51.25

Materials:

1 1/2" grab bar rods are formed from type 304 stainless steel tubing.
12" – 42" length is 20 gauge
48" length is 18 gauge

Compliance:

- ADA, ANSI, ASTM, CSA
- Tested to 500 lbs. pull

Installation Instructions:

1. Position unit on wall in desired location.
2. Mark mounting holes.
3. Drill starter holes.
4. Mount unit on wall using 2" screws (provided).
5. Snap flange covers into place.

Note: SecureMount Anchors are recommended for use in non-stud (hollow-wall) applications per installation instructions.

Stock Number: _____ 1 1/2" Grab Bars
By Creative Specialties



25300 AL MOEN DRIVE • NORTH OLMSTED, OH 44070
CORPORATE HEADQUARTERS: (800) 321-8809 • FAX: (800) 848-6636
INTERNATIONAL: (440) 962-2000 • FAX: (440) 962-2726
CUSTOMER SERVICE (USA): 800-882-0116 • FAX: (888) 379-2720
WWW.MOEN.COM

©Copyright Creative Specialties International

Literature #BA1676

Eemax[®]

ELECTRIC MINI-TANK WATER HEATER

EMT2.5 = 2.5 GAL.

Plugs into standard 110 volt outlet.



► **Save water**

Installing the Mini-Tank under the sink puts hot water right where you need it – at the point-of-use, so there is no water going down the drain while waiting for hot water.

► **Save energy**

Point-of-use water heating eliminates long runs of pipe and long waits for hot water at the tap.

► **Superior design**

Impact and corrosion resistant exterior. Glass lined tank inside. Quick economical recovery and superior insulation for high efficiency.

► **Save space**

By installing an Eemax point-of-use heater, you eliminate the need for a large bulky storage tank.

► **Easy to size**

*2.5 gallon for 1 sink
4 gallon for 2 sinks (see EMT4 spec sheet)
6 gallon for up to 4 sinks (see EMT6 spec sheet)*

► **Versatile applications**

*Homes, cottages, kitchenettes
Stores and offices
RVs and mobile homes, boats
Restaurants and hotels
Service stations
Warehouses and factories*

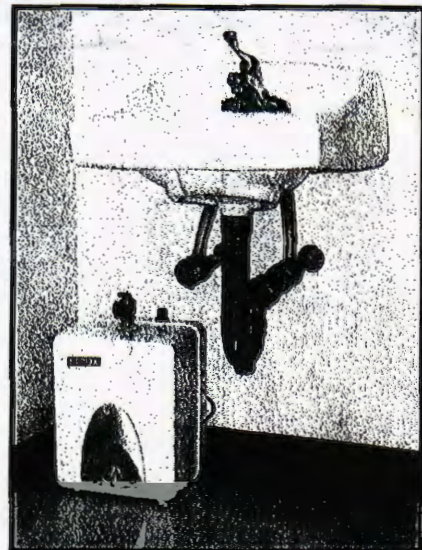
Easy Installation

Mini-Tank Features

- 6 year warranty on tank
- Glass-lined tank for longer life
- Mounts on wall or floor
- Temperature/pressure relief valve included
- Plugs into standard 110 volt outlet
- 4 & 6 gallon models available (EMT4 & EMT6)

Save water by eliminating the wait for hot water to reach the tap. Simply tap into the cold water line and install the heater directly at the sink. No need for costly recirculating lines and pumps. And when you want to eliminate the wait for hot water but need more volume, install the Eemax heater in-line with a larger hot water source, such as a tankless heater or a storage tank heater.

Lightweight and compact, the 2.5 gallon model plugs into a standard 110 volt outlet.



Technical Data

SPECIFICATIONS	EMT2.5
Tank Volume	2.5 gallons
Weight	20 lbs
Recovery time (50° to 140°)	45 minutes
Water Connections	1/2" NPT
Relief Valve	included

All Units

Voltage - 110/120 volts

Amperage - 12 amps

Heating Capacity - 1400 watts

Phase - single

Temperatures - 50° - 140°F

Operating Pressure - 150 psi

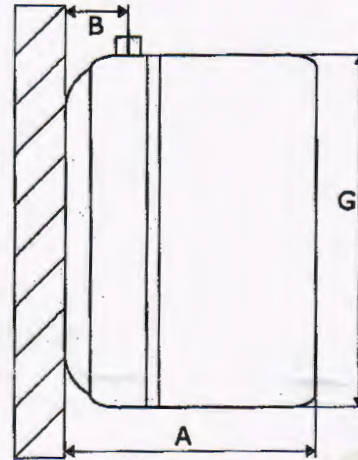
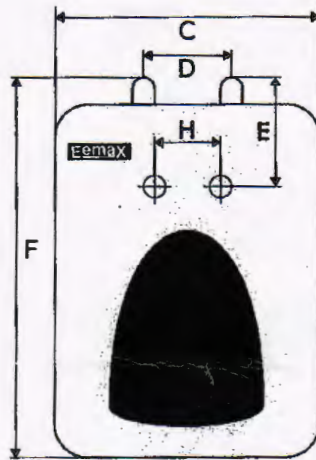
Mini-Tank Features

- 6 year warranty on tank
- 2 year warranty on parts
- Glass-lined tank for longer life
- Mounts on wall or floor
- Temperature/pressure relief valve included
- Plugs into standard 110 volt outlet
- Adjustable thermostat with overheat protection
- CFC free
- Meets ASHRAE 90.1 Standard

ELECTRIC MINI TANK DIMENSIONS EMT2.5 (2.5 gallon)

Dimensional Data

	EMT2.5
A	10 3/8"
B	2 3/4"
C	11 3/4"
D	4.0"
E	6.0"
F	15 1/2"
G	14 1/2"
H	2 1/2"



Eemax[®]

353 Christian Street

Oxford, CT 06478

1-800-543-6163

email - eemaxinc@aol.com

www.eemax.com



C SA US
CSA STD
C2.2NO 110
UL STD 174

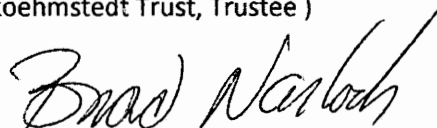
April 17, 2016

To the committee members of the North Dakota Heritage Fund

The land for the Minto outdoor skating rink currently resides on land owned by the Paul Koehmstedt Trust. Paul was a man of the community and would be honored to have the new and improved outdoor rink presiding on his land. The Paul Koehmstedt Trust supports the use of land for the Minto outdoor rink.

Brad Narloch

(Paul koehmstedt Trust, Trustee)

A handwritten signature in black ink that reads "Brad Narloch". The signature is written in a cursive, flowing style with a prominent initial "B".

CITY OF MINTO

Box 342, Minto ND 58261
701-248-3858 Fax: 701-248-3839

April 18, 2016

North Dakota Outdoor Heritage Fund Committee
North Dakota Game & Fish Department
100 N Bismarck Expressway
Bismarck, ND 58501-5095

Dear Committee Members;

The City of Minto fully supports the in-kind labor component of the warming house and outdoor skating rink construction process. The City will continue to maintain the rink and warming house when it is completed. Currently, the ice at the outdoor rink is maintained for the youth of the Minto area.

The existing warming house was built over 20 years ago and has been moved from another site. The property the rink is currently on has never been properly leveled and prepared for efficient ice production. At this time there is no liner to allow for early access to the ice and prevent grass from coming through.

This project will greatly increase the recreation of families during the winter months in our City. There are many hockey and figure skating youth in our community along with families that just love to enjoy the outdoors. The rink is open to all.

Sincerely,



Lane Kelley
Mayor

LK/tju

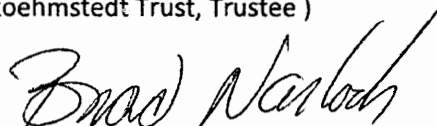
April 17, 2016

To the committee members of the North Dakota Heritage Fund

The land for the Minto outdoor skating rink currently resides on land owned by the Paul Koehmstedt Trust. Paul was a man of the community and would be honored to have the new and improved outdoor rink presiding on his land. The Paul Koehmstedt Trust supports the use of land for the Minto outdoor rink.

Brad Narloch

(Paul koehmstedt Trust, Trustee)

A handwritten signature in cursive script that reads "Brad Narloch". The signature is written in black ink and is positioned below the typed name and title.

CITY OF MINTO

Box 342, Minto ND 58261
701-248-3858 Fax: 701-248-3839

April 18, 2016

North Dakota Outdoor Heritage Fund Committee
North Dakota Game & Fish Department
100 N Bismarck Expressway
Bismarck, ND 58501-5095

Dear Committee Members;

The City of Minto fully supports the in-kind labor component of the warming house and outdoor skating rink construction process. The City will continue to maintain the rink and warming house when it is completed. Currently, the ice at the outdoor rink is maintained for the youth of the Minto area.

The existing warming house was built over 20 years ago and has been moved from another site. The property the rink is currently on has never been properly leveled and prepared for efficient ice production. At this time there is no liner to allow for early access to the ice and prevent grass from coming through.

This project will greatly increase the recreation of families during the winter months in our City. There are many hockey and figure skating youth in our community along with families that just love to enjoy the outdoors. The rink is open to all.

Sincerely,



Lane Kelley
Mayor

LK/tju